

# AMP Series - POLYLINE® JIC Size Junction Boxes:

*Nonmetal Snap Latch Hinged Cover  
– Solid/Opaque*



## PRODUCT INFORMATION

### Application

- Designed to insulate and protect controls and components in both indoor and outdoor applications often found in industrial control panels, pump controls/waste water treatment, irrigation/water control, solar/wind, and chemical plants
- Light weight, impact resistant and good corrosion resistance for many industrial enclosure applications and a great alternative to metallic enclosures
- Protects from dirt, dust, and water

### Standards

- UL 50 and UL 50E Types 1, 2, 3, 3R, 4, 4X, 12 and 13
- CSA C22.2 No. 94 Types 1, 2, 3, 3R, 4, 4X, 12 and 13
- Complies with:
  - NEMA Types 1, 2, 3, 3R, 4, 4X, 12 and 13
  - IEC 60529 Type IP66
- RoHS directive

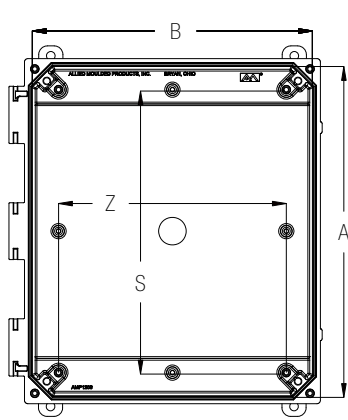
### Construction

- Injection molded polycarbonate thermoplastic – opaque cover, enclosure base, snap latches, feet and flange
- Opaque cover, base, padlockable snap latches, feet, and flanges – Light gray color (RAL 7035) Note: flanged models are pre-assembled, foot models mounting hardware supplied in a bag
- Stainless steel, hinge pin and foot/flange mounting hardware
- Cover seal – Formed-In-Place (FIP) polyurethane gasket system
- #10-32 threaded brass inserts are installed for optional back panel mounting

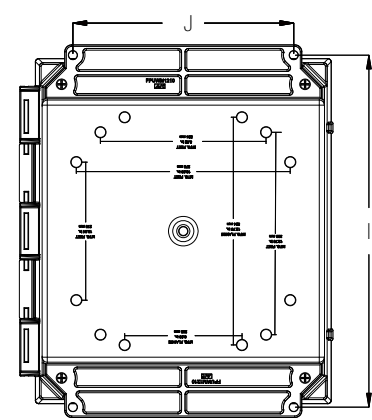
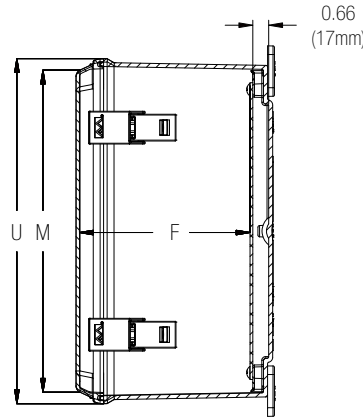
### Accessories

- Optional back panels (white painted steel and aluminum) and hinged front panels (aluminum)
- Optional mounting hardware based on model number – foot or flange mount
- Additional molded-in mounting bosses available for directly mounting DIN rails

# Nonmetal Snap Latch - Solid / Opaque

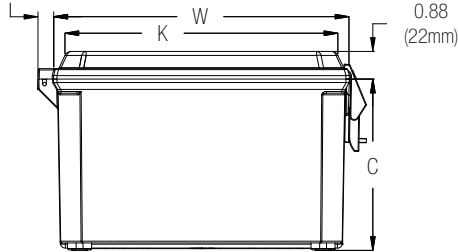


NOTE: COVER REMOVED FOR CLARITY



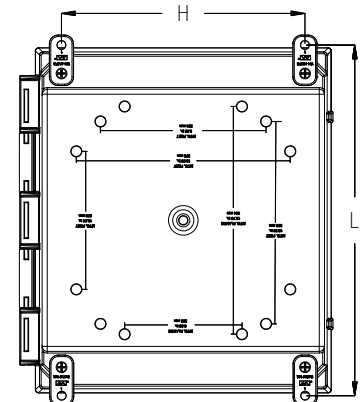
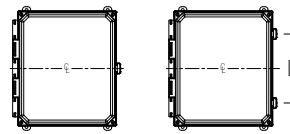
FLANGE MOUNT

- 6 x 6 x 4 - 14 x 12 x 6 0.56 (14mm)
- 16 x 14 x 8 .36 (9mm)
- 18 x 16 x 10 .46 (12mm)



### LATCH LOCATIONS

- |            |                               |
|------------|-------------------------------|
| FOR USE ON | FOR USE ON                    |
| 6 x 6 x 4  | 12 x 10 x 4(6) D=7.50 (191mm) |
| 8 x 6 x 4  | 14 x 12 x 6 D=8.00 (203mm)    |
| 8 x 8 x 4  | 16 x 14 x 8 D=10.5 (267mm)    |
| 10 x 8 x 4 | 18 x 16 x 10 D=12.5 (318mm)   |



FOOT MOUNT

\*Nom. Wall Thickness: .14 (4mm);  
sizes 14"through18" .19 (5mm)

Part No.	Box Size			Usable Depth	Panel Boss Centers			Back Panel Size			Flange Mount Centers		Foot Mount Centers		Cover Size		
	A	B	C		F	S	Z	Ht.	Wid.	P/N	J	I	H	L	K	M	W
AMP664NL	6.03	6.26	4.08	4.06	4.25	4.25	4.81	4.81	PL66 PLA66	4.00	6.88, 6.75	4.91	6.75	5.89	5.67	6.72	6.50
AMP664NLF	153mm	159mm	104mm	103mm	108mm	108mm	122mm	122mm		102mm	175, 171mm	125mm	171mm	150mm	144mm	171mm	165mm
AMP864NL	7.94	6.16	4.08	4.06	6.25	4.25	6.75	4.88	PL86 PLA86	4.00	8.88, 8.75	4.91	8.75	5.89	7.67	6.72	8.50
AMP864NLF	202mm	156mm	104mm	103mm	159mm	108mm	171mm	124mm		102mm	226, 222mm	125mm	222mm	150mm	195mm	171mm	216mm
AMP884NL	7.94	8.16	4.08	4.06	6.25	6.25	6.75	6.88	PL88 PLA88	6.00	8.75	6.91	8.75	7.89	7.67	8.72	8.50
AMP884NLF	202mm	207mm	104mm	103mm	159mm	159mm	171mm	175mm		152mm	222mm	175mm	222mm	200mm	195mm	221mm	216mm
AMP1084NL	9.93	8.15	4.08	4.06	8.25	6.25	8.75	6.88	PL108 PLA108	6.00	10.75	6.91	10.75	7.89	9.67	8.72	10.50
AMP1084NLF	252mm	207mm	104mm	103mm	210mm	159mm	222mm	175mm		152mm	273mm	175mm	273mm	200mm	246mm	221mm	267mm
AMP1204NL	11.93	10.15	4.08	4.16	10.25	8.25	10.75	8.88	PL120 PLA120	8.00	12.75	8.82	12.70	9.89	11.67	10.72	12.50
AMP1204NLF	303mm	258mm	104mm	106mm	260mm	210mm	273mm	225mm		203mm	324mm	224mm	323mm	251mm	296mm	272mm	318mm
AMP1206NL	11.93	10.15	6.08	6.06	10.25	8.25	10.75	8.88	PL120 PLA120	8.00	12.75	8.82	12.70	9.89	11.67	10.72	12.50
AMP1206NLF	303mm	258mm	154mm	154mm	260mm	210mm	273mm	225mm		203mm	324mm	224mm	323mm	251mm	296mm	272mm	318mm
AMP1426NL	13.85	12.07	6.13	5.99	12.25	10.25	12.75	10.88	PL142 PLA142	10.01	14.75, 14.62	10.82	14.70	11.89	13.67	12.72	14.50
AMP1426NLF	352mm	307mm	156mm	152mm	311mm	260mm	324mm	276mm		254mm	375, 371mm	275mm	373mm	302mm	347mm	323mm	368mm
AMP1648NL	15.98	13.98	8.00	8.27	14.25	12.25	14.75	12.88	P164 PA164	12	17.75	11.47	17.91	13.68	15.63	15.04	17.23
AMP1648NLF	406mm	355mm	203mm	210mm	362mm	311mm	375mm	327mm		305mm	451mm	291mm	455mm	347mm	397mm	382mm	438mm
AMP1860NL	18.04	16.04	10.00	10.27	16.22	14.25	16.88	14.88	P186 PA186	12	19.63, 19.51	13.72	19.91	15.68	17.68	17.10	19.28
AMP1860NLF	458mm	407mm	254mm	261mm	412mm	362mm	429mm	378mm		305mm	499, 496mm	349mm	506mm	398mm	454mm	434mm	490mm

All dimensions are in inches unless otherwise noted  
"I" dimensions with multiple numbers indicate slotted holes

Data subject to change without notice

Enclosure base part numbers come standard with 4 separately bagged feet (ex. AMP664NL)  
Add "F" to the part number for factory installed flanges (ex. AMP664NLF)

